

Please read through this user's manual to ensure correct usage of the controller and keep it handy for quick reference.

Contents

1. Notice	1
2. What is on the Front Panel?	1
3. Installing the Controller	1
4. Panel Cutout Dimensions and External Dimensions	1
5. Wiring	2
6. Hardware Specifications	2
7. Key Operations	3
8. Troubleshooting	3

Revision Record

IM 05C01E02-01E 1st Edition: Oct. '00
2nd Edition: Feb. '01
3rd Edition: Jun. '04

1. Notice

The following safety symbol is used both on the product and in this user's manual.



This symbol stands for "Handle with Care." When displayed on the product, the operator should refer to the corresponding explanation given in the user's manual in order to avoid injury or death of personnel and/or damage to the product. In the manual the symbol is accompanied by an explanation of the special care that is required to avoid shock or other dangers that may result in injury or loss of life.

The following symbols are used in this manual only.



NOTE

Indicates that operating the hardware or software in a particular manner may lead to damage or result in system failure.



IMPORTANT

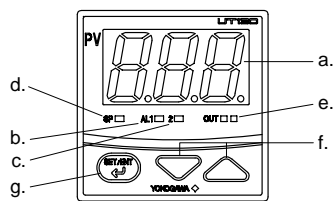
Draws attention to information that is essential for understanding the operation and/or features of the product.

Exemption from Responsibility

Make sure that all of the precautions are strictly adhered to. Yokogawa Electric Corporation assumes no liability for any damage resulting from use of the instrument in contradiction to the precautions.

Also, Yokogawa Electric Corporation assumes no liability to any party for any loss or damage, direct or indirect, caused by the use or any unpredictable defect of the instrument.

2. What is on the Front Panel ?



Name	Function
a. Data display (red)	<ul style="list-style-type: none"> In the operating display, either PV (measured value) or SP (target setpoint) is indicated. Which parameter takes precedence over the other depends on the DSP parameter value. In the parameter setting display, either the parameter codes or parameter value is indicated. If an error occurs, the error code is displayed.
b. Alarm 1 (AL1) lamp (red)	Lit when alarm 1 is activated.
c. Alarm 2 (AL2) lamp (red)	Lit when alarm 2 is activated.
d. SP display lamp (orange)	<ul style="list-style-type: none"> Lit when the SP is displayed or being changed. Flashes slowly (approx. once every second) when a parameter code is displayed. Flashes fast when a parameter value is being changed.
e. Output (OUT) display lamps (Left: orange; right: green)	<ul style="list-style-type: none"> Lit while control output is being output. The left lamp is lit in orange during control output of standard type. In heating/cooling control, the left lamp lights up in orange when the heating-side output is active; while the right lamp lights up in green when the cooling-side output is active.
f. Data change keys (Indicated as simply the ∇ and \triangle keys hereafter.)	<ul style="list-style-type: none"> When PV is displayed on the operating display, a press of the \triangle or ∇ key switches to the SP display. When a parameter code is displayed, pressing either key once displays the parameter value (which can then be changed). Changes SP and the parameter values. Pressing the ∇ key decreases the data value and pressing the \triangle key increases it. Holding down the key will gradually increase the speed of the change.
g. SET/ENT key (data registering key) (Indicated as simply the \square key hereafter.)	<ul style="list-style-type: none"> On the operating display, it switches between the PV and SP displays. Registers the data value changed using the data change keys. Switches between operating displays or parameter setting displays sequentially. Pressing the key for 3 seconds or longer in the operating display retrieves the operating parameter setting display. Pressing the key for 3 seconds or longer in either an operating or setup parameter setting display transfers back to the operating display.

3. Installing the Controller

CAUTION

To prevent electric shock, the source of power to the controller must be turned off when mounting the controller on to a panel.

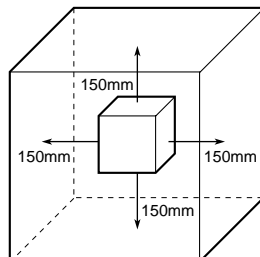
NOTE

To install the controller, select a location where:

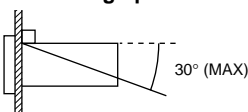
- No-one may accidentally touch the terminals;
- Mechanical vibrations are minimal;
- Corrosive gas is minimal;
- The temperature can be maintained at about 23°C with minimal fluctuation;
- There is no direct heat radiation;
- There are no resulting magnetic disturbances;
- The terminal board (reference junction compensation element, etc.) is protected from wind;
- There is no splashing of water; and
- There are no flammable materials.

Never place the controller directly on flammable items.

If the controller has to be installed close to flammable items or equipment, be sure to enclose the controller in shielding panels positioned at least 150mm away from each side. These panels should be made of either 1.43mm thick metal-plated steel plates or 1.6mm thick uncoated steel plates.



Mount the controller at an angle within 30° from horizontal with the screen facing upward. Do not mount it facing downward.



Checking Package Contents

Before using the product, check that its model & suffix codes are as you ordered.

Model and Suffix Codes

Model	Suffix code	Description
UT130		Temperature controller
Control output for standard type (or for heating)	-R	Relay output (time-proportional PID or on/off control)
	-V	Voltage pulse output (time-proportional PID)
Control output for cooling	N	No cooling output (standard type)
	R	Relay output (time-proportional PID or on/off control)
	V	Voltage pulse output (time-proportional PID)
Option	/AL	Alarm outputs (2 points)
	/HBA	Heater disconnection alarm (includes optional /AL function)
	/RS	Communication function
	/N24	Power Supply 24V DC / 24V AC

Note: When specifying the /RS option, be sure to order the required number of copies of Communication Functions User's Manual separately.

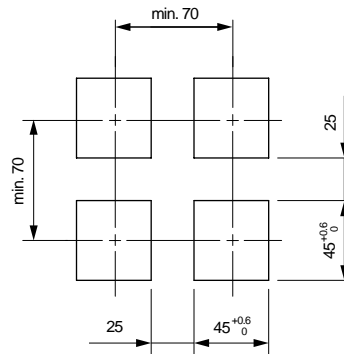
Check the package contents against the list below.

- Temperature controller 1
- Mounting bracket 1
- User's manual (this manual) 1

Yokogawa Electric Corporation
Network Solutions Business Division
2-9-32, Naka-cho Musashino-shi, Tokyo 180-8750 Japan
Phone: +81-422-52-7179 Facsimile: +81-422-52-6793

4. Panel Cutout Dimensions and External Dimensions

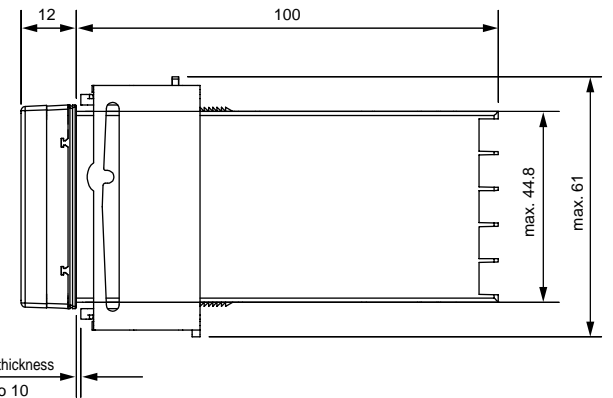
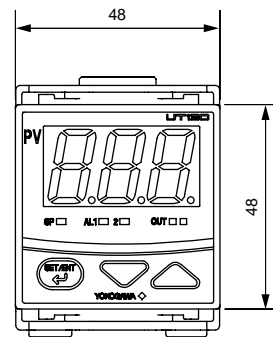
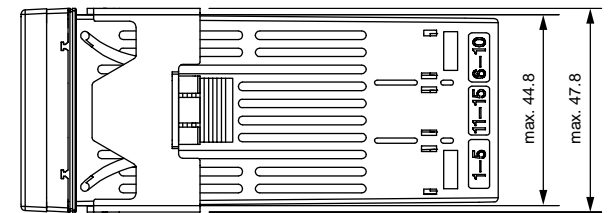
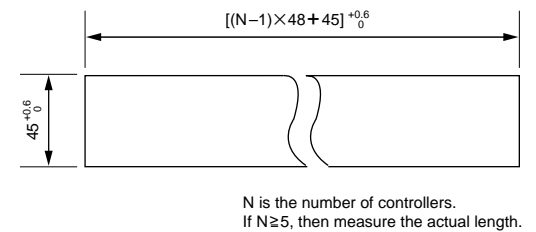
1. General Mounting



2. Side-by-side Close Mounting

(Splash-proof construction is unavailable)

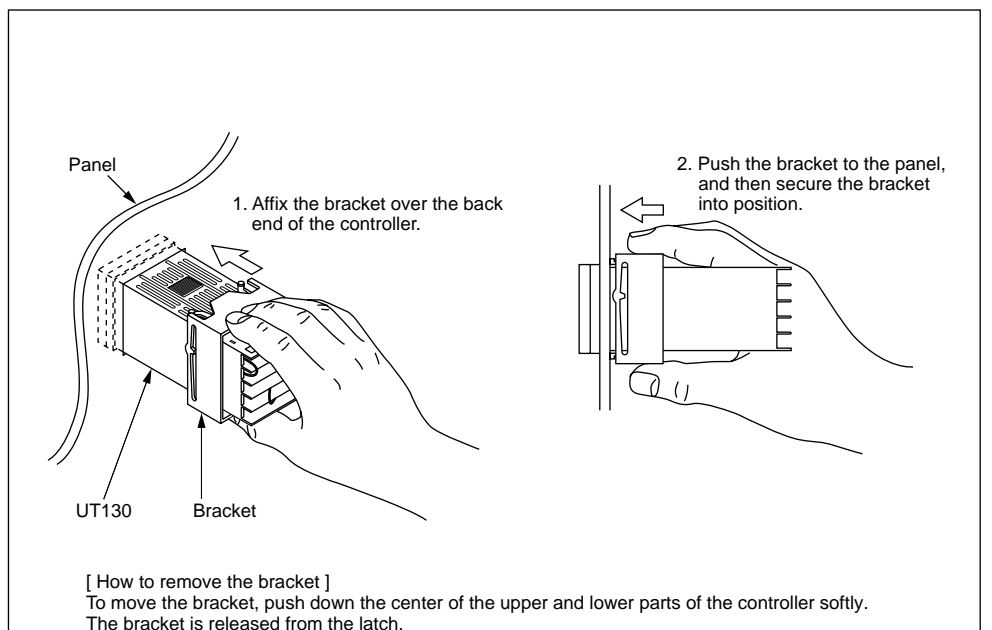
Unit: mm



NOTE

Splash-proof construction is not available when the side-by-side close mounting method shown in the above figures, is chosen for any of the controllers.

Mounting the Controller



5. Wiring

CAUTION

- Before you start wiring, turn off the power source and use a tester to check that the controller and cables are not receiving any power in order to prevent electric shock.
- For safety, be sure to install a circuit breaker switch (of 5A and 100V AC or 220V AC, and that conforms to IEC60947) near the instrument so as to be operated easily, and clearly indicate that the device is used to de-energize the instrument.
- Wiring should be carried out by personnel with appropriate electrical knowledge and experience.

NOTE

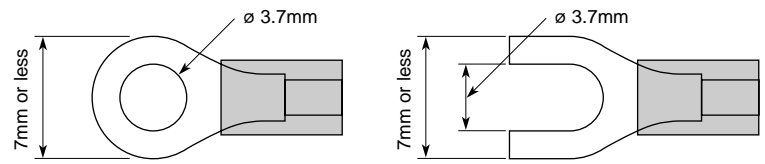
- Use a single-phase power source. If the source has a lot of noise, use an isolation transformer for the primary side and a line filter (we recommend TDK's ZAC2205-00U product) for the secondary side. When this noise-prevention measure is taken, keep the primary and secondary power cables well apart. Since the controller has no fuse, be sure to install a circuit breaker switch (of 5A and 100V AC or 220V AC, and that conforms to IEC standards) and clearly indicate that the device is used to de-energize the controller.
- For thermocouple input, use shielded compensating lead wires. For RTD input, use shielded wires which have low resistance and no resistance difference between the 3 wires. See the table given later for the specifications of the cables and terminals and the recommended products.
- The control output relay cannot be replaced even though it has a limited service life (100,000 relay contacts for the resistance load). Thus, an auxiliary relay should be used so that the load can be turned on and off.
- When using an inductive load (L) such as an auxiliary relay and solenoid valve, be sure to insert a CR filter (for AC) or diode (for DC) in parallel as a spark-rejecting surge suppressor to prevent malfunctions or damage to the relay.
- When there is the possibility of being struck by external lightning surge, use the arrester to protect the instrument.

Cable Specifications and Recommended Products

Power supply and relay contact output	600V vinyl insulated wire/cable, JIS C3307, 0.9 to 2.0mm ²
Thermocouple input	Shielded compensating lead wire, JIS C1610
RTD input	Shielded wire (3-wire), UL2482 (Hitachi cable)
Other signals	Shielded wire

Recommended Terminals

Use M3.5 screw-compatible crimp-on terminals with an insulating sleeve, as shown below.



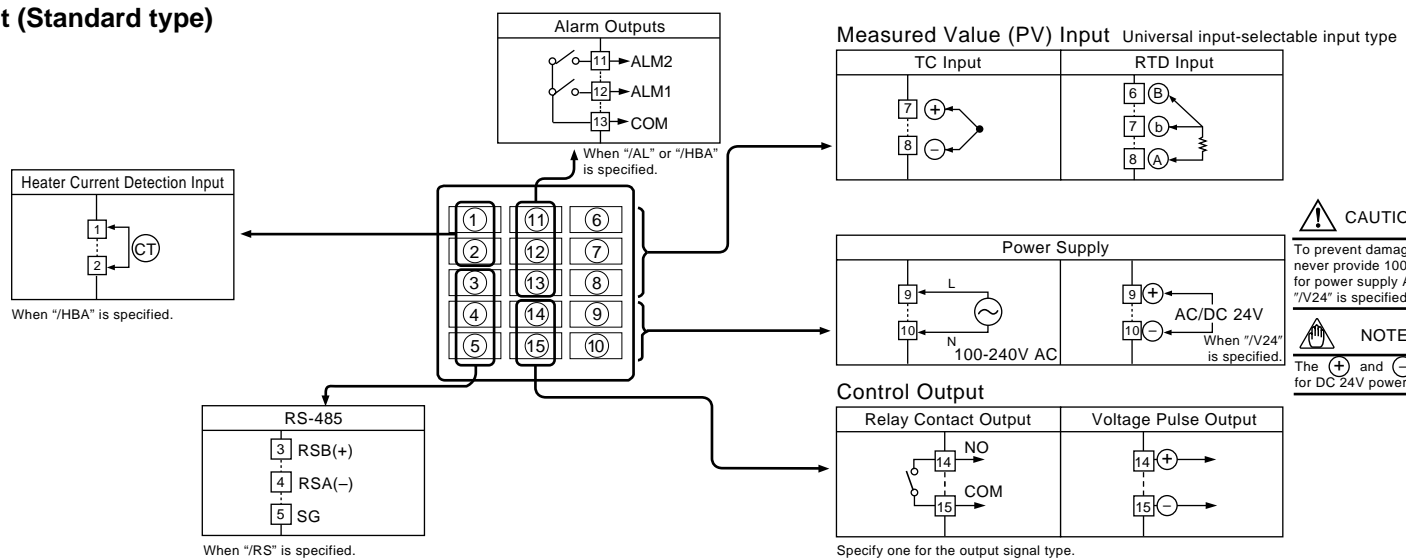
IMPORTANT

Always fix a terminal cover bracket to the UT130 controller before wiring if an optional anti-electric-shock terminal cover (part number: L4000FB) is used.

UT130 Terminal Arrangement (Standard type)

NOTE

Do not use unassigned terminals as relay terminals.



CAUTION

To prevent damage to the controller, never provide 100-240V AC power supply for power supply AC/DC 24V model (when "/V24" is specified).

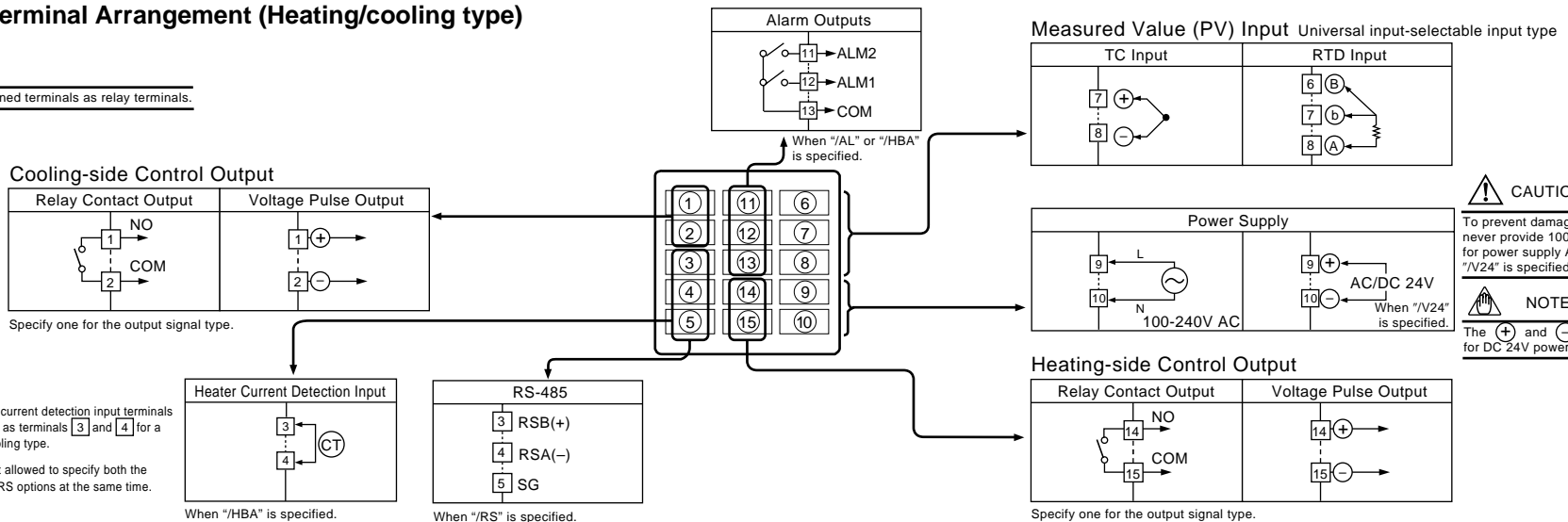
NOTE

The (+) and (-) stand for the polarity for DC 24V power supply.

UT130 Terminal Arrangement (Heating/cooling type)

NOTE

Do not use unassigned terminals as relay terminals.



CAUTION

To prevent damage to the controller, never provide 100-240V AC power supply for power supply AC/DC 24V model (when "/V24" is specified).

NOTE

The (+) and (-) stand for the polarity for DC 24V power supply.

- The heater current detection input terminals are defined as terminals 3 and 4 for a heating/cooling type.
- You are not allowed to specify both the /HBA and /RS options at the same time.

6. Hardware Specifications

Measured Value (PV) Input

- Input: 1 point
 - Input type: Universal; can be selected by software
 - Input accuracy (at 23 ±2°C ambient temperature)
 - Thermocouple: ±2°C
 - However,
 - ±4°C for thermocouple input -200 to -100°C
 - ±3°C for thermocouple input -100 to 0°C
 - RTD: ±1°C ±1 digit
 - Sampling period for measured value input: 500ms
 - Burn-out detection: Functions for thermocouple or RTD input (burn-out upscale only; cannot be switched off)
 - Input resistance: 1MΩ or greater for thermocouple
 - Maximum allowable signal source resistance: 250Ω for thermocouple input
 - Maximum allowable wiring resistance for RTD input: 10Ω/wire (The resistance values of three wires must be the same.)
 - Allowable input voltage: ±10V DC for thermocouple input
 - Noise rejection ratio: Normal mode noise: Min. 40dB (50/60Hz) Common mode noise: Min. 120dB
 - Error of reference junction compensation: ±1.5°C (at 15-35°C) ±2.0°C (at 0-50°C)
- The reference junction compensation cannot be switched off.
- Applicable standards: Thermocouple and resistance temperature detector JIS/IEC/DIN (ITS90)

Control Output

- Output: 1 point (for standard type) or 2 points (for heating/cooling type)
- Output type: Choose one from (1) to (2) below:
 - Relay contact output
Contact capacity: 3A at 240V AC or 3A at 30V DC (with resistance load)
Note: The control output relay cannot be replaced by users.
 - Voltage pulse output
On voltage: 12-18V DC (load resistance: 600Ω or greater)
Off voltage: 0.1V DC or less (short-circuit current: approx. 30mA)

Alarm Functions

Alarm Functions (Option Code /AL or /HBA)

- Alarm types: 22 types
- Alarm action can be set by software: PV high limit, PV low limit, Deviation high limit, Deviation low limit, De-energized on deviation high limit, De-energized on deviation low limit, Deviation high and low limits, High and low limits within deviation, De-energized on PV high limit, De-energized on PV low limit, Fault diagnosis output, FAIL output
- Alarm output: 2 relay contacts
- Relay contact capacity: 1A at 240V AC or 1A at 30V DC (with resistance load)
- Note: The alarm output relays cannot be replaced by users.

Heater Disconnection Alarm (Option Code /HBA)

- The heater disconnection alarm is available when time-proportional PID control or on/off control is selected.
- Heater current setting range: 1 to 80A
- Alarm output: 1 relay contact (The terminals are the same as those of the /AL option.)
- On time of burn-out detection: Min. 0.2 second
- Sensor: CTL-6-S-H or CTL-12-S36-8 (URD Co., Ltd.) To be purchased separately.

Communication Function

The communication function is provided only when the /RS option is specified. (For details, read the instruction manual of the communications functions IM 05C01E12-10E.)

Communication Protocol

- Personal computer link: Used for communication with a personal computer, or UT link module of the FA-M3 controller (from Yokogawa Electric Corporation).
- Ladder communication: Used for communication with a ladder communication module of the FA-M3, or a programmable controller of other manufacturers.
- MODBUS communication: Used for communication with equipment featuring the MODBUS protocol.

Communication Interface

- Applicable standards: Complies with EIA RS-485
- Number of controllers that can be connected: Up to 31
- Maximum communication distance: 1,200m
- Communication method: Two-wire half-duplex, start-stop synchronization, non-procedural
- Communication speed: 2400, 4800, or 9600 bps

Safety and EMC Standards

- Safety: Compliant with IEC/EN61010-1: 2001, approved by CSA1010, approved by UL508. Installation category: CAT. II (IEC/EN61010, CSA1010) Pollution degree: 2 (IEC/EN61010, CSA1010) Measurement category: I (CAT. I: IEC/EN61010) Rated measurement input voltage: 10V DC max. (across terminals), 300V AC max. (across ground) Rated transient overvoltage: 1500V (Note)
- Note: It is a value on the safety standard which is assumed by IEC/EN61010-1 in measurement category I, and is not the value which guarantees an apparatus performance.
- Caution: This equipment has Measurement category I, therefore do not use the equipment for measurements within measurement categories II, III and IV.
- EMC standards: Complies with EN61326. The instrument continues to operate at a measuring accuracy of within ±20% of the range during tests.

Power Supply and Isolation

Power Supply

Power supply	Voltage	Rated at 100-240VAC (±10%) AC/DC 24V when "/V24" is specified.
	Frequency	50 or 60Hz
Maximum power consumption	8VA max. (4W max.)	3W max. when "/V24" is specified.
	Memory	Non-volatile memory
Withstanding voltage	Between primary terminals and secondary terminals (See notes 1 and 2.)	1500V AC for 1 minute
	Between primary terminals and secondary terminals (See notes 1 and 2.)	20MΩ or more at 500V DC

Note 1: The primary terminals are the power supply terminals and relay output terminals.
The secondary terminals are the analog input and output terminals, the voltage pulse output terminals, and the contact input terminals.
Note 2: AC/DC 24V terminals are secondary terminals.

Isolation

The bold lines below indicate reinforced isolation, and the broken line indicates functional isolation.

Power supply terminals (100-240V AC)	Power supply terminals AC/DC 24V (When "/V24" is specified)
Control output terminals (relay contacts)	Measured value input terminals
Alarm output terminals (2 relay contacts)	CT input terminals for /HBA
	Internal circuit
	Control output terminals: Voltage pulse
	RS-485 terminals for /RS

Note: Neither the measured value input terminals, CT input terminals for the /HBA option, nor input terminals for the /EX option are isolated from the internal circuit.

Construction, Mounting, and Wiring

- Construction: Dust-proof and drip-proof front panel conforming to IP65. For side-by-side close installation the controller loses its dust-proof and drip-proof protection.
- Casing: ABS resin and polycarbonate
- Case color: Black
- Mounting: Flush panel mounting
- Terminals: Screw terminals

Environmental Conditions

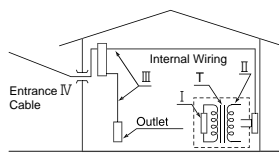
- Normal Operating Conditions
 - Warm-up time: At least 30 minutes
 - Ambient temperature: 0-50°C (0-40°C when mounted side-by-side)
 - Rate of change of temperature: 10°C/h or less
 - Ambient humidity: 20-90% RH (no condensation allowed)
 - Magnetic field: 400A/m(AT/m) or less
 - Continuous vibrations of 5 to 14Hz: Amplitude of 1.2mm or less
 - Continuous vibrations of 14 to 150Hz: 4.9m/s² (0.5G) or less
 - Short-period vibrations: 14.7m/s² (1.5G) for 15 seconds or less
 - Shock: 98m/s² (10G) for 11 milliseconds or less
 - Mounting angle: Upward incline of up to 30 degrees; downward incline is not allowed.
 - Altitude: 2000m or less above sea level

Maximum Effects from Operating Conditions

- Temperature effects
 - Thermocouple, DC mV and DC V input: ±2μV/°C or ±0.02% of F.S./°C, whichever is the larger
 - Resistance temperature detector: ±0.05°C/°C
 - Alarm output: ±0.05% of F.S./°C
- Effect from fluctuation of power supply voltage (within rated voltage range)
 - Analog input: ±0.2μV/V or ±0.002% of F.S./V, whichever is the larger
 - Analog output: ±0.05% of F.S./V

Transportation and Storage Conditions

- Temperature: -25 to 70°C
- Humidity: 5 to 95% RH (no condensation allowed)
- Shock: Package drop height 90cm (when packed in the dedicated package)



Measurement category	Description	Remarks
I	CAT. I	For measurements performed on circuits not directly connected to MAINS.
II	CAT. II	For measurements performed on circuits directly connected to the low voltage installation.
III	CAT. III	For measurements performed in the building installation.
IV	CAT. IV	For measurements performed at the source of the low-voltage installation.

7. Key Operations

CAUTION

To prevent electric shock, the controller should be mounted on the panel so that you do not accidentally touch the terminals when power is being applied.

IMPORTANT

The temperature controller is shipped with the parameters set at the factory-set defaults. Check the default values against the "Parameter Lists" in the following page, and change the parameter settings that need to be changed.

This section explains how to set and register parameter values.

The procedure for changing SP (target setpoint) and A1 (alarm 1 setpoint) can be found on "Changing Target Setpoint (SP)" and "Changing Alarm 1 Setpoint (A1)," respectively. You can set the other parameters in the same way.

There are no setup displays for parameters specific to functions, such as the optional alarm output functions or heating/cooling control, if they were not selected at ordering.

The setting of some parameters (such as the control mode parameter CTL) determines whether the other parameters are displayed or not.

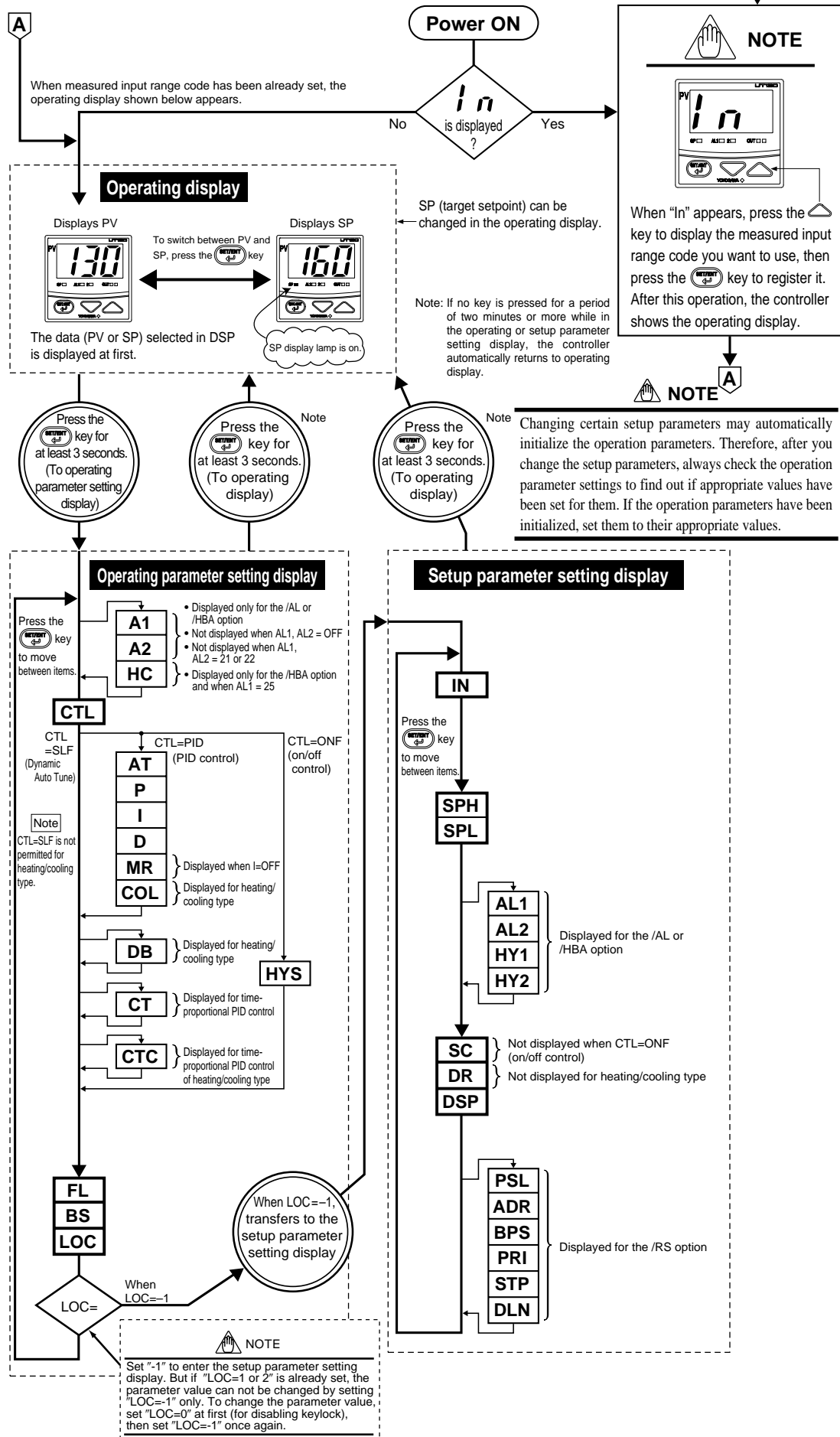
The flowchart below will help you understand how this works.

NOTE

At power-on, the temperature controller displays the operating display, but if the input range setting remains OFF, then "IN" appears. In this case, press the Δ key to display the input range code you want to use, then press the SET key to register it. (Refer to the flowchart below.)

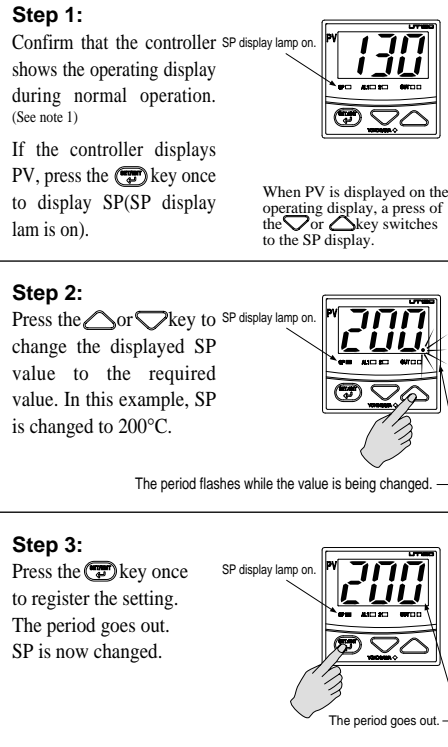
- You can move between parameter setting displays using the SET key.
- To change the set value,
 - Change the display value with the ∇ or Δ key (the period flashes).
 - Press the SET key to register the setting.
- At the operating display, pressing the SET key for at least 3 seconds retrieves the operating parameter setting display.
- At the operating parameter setting display, pressing the SET key for at least 3 seconds transfers back to the operating display. Registering the key-lock parameter LOC to "-1" retrieves the setup parameter setting display.
- At the setup parameter setting display, pressing the SET key for at least 3 seconds transfers back to the operating display.

Note: If you cannot change the parameter setting value, check the key-lock parameter (LOC) setting.



Changing Target Setpoint (SP)

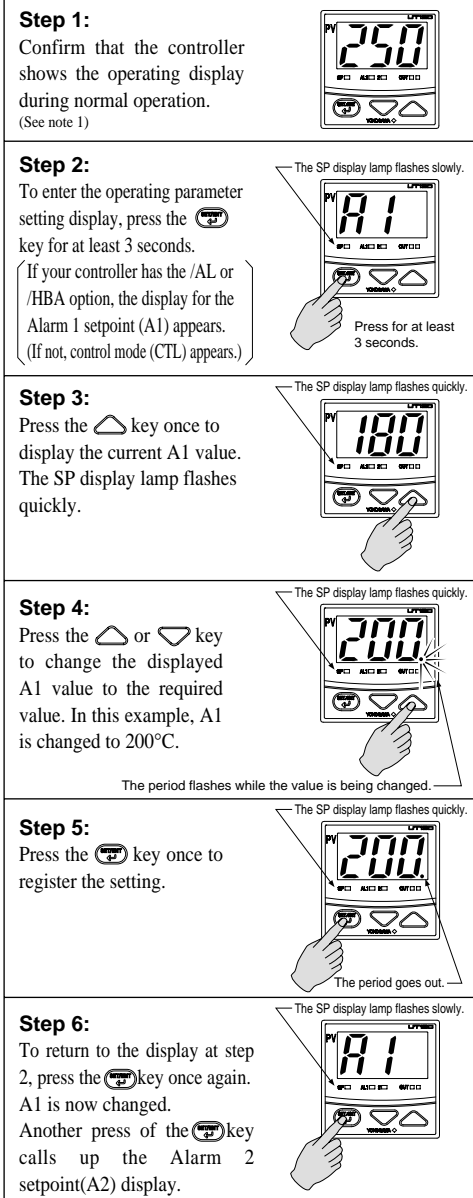
The following instructions assume that the controller is already receiving power.



- Note 1: The operating display shows either PV or SP. You can find out which data is displayed by the SP display lamp status.
- OFF: PV display of operating display
 - ON: SP display of operating display
 - Slow flashing: Parameter code is displayed.
 - Quick flashing: Parameter value is being changed.

Changing Alarm 1 Setpoint (A1)

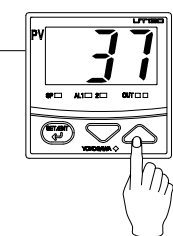
(This setpoint appears only if the /AL or /HBA option is specified.)



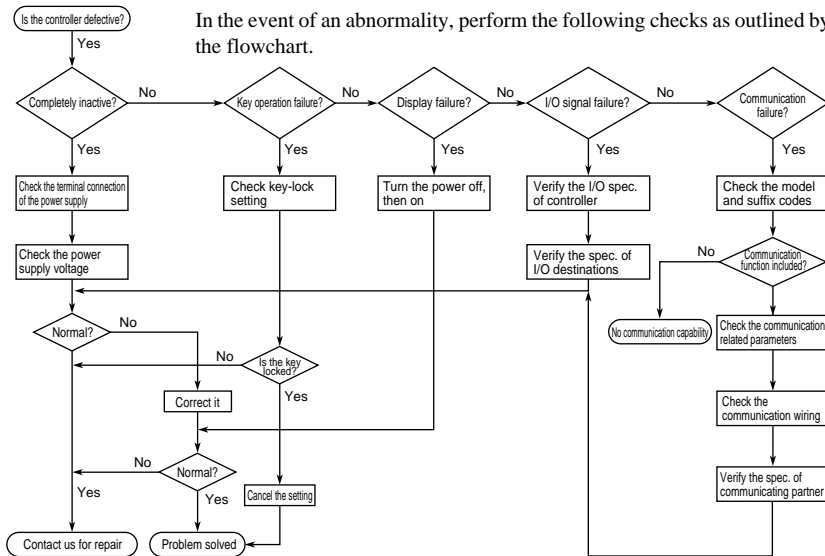
UT130 Measured Input Ranges

Input type	Range (°C)	Range code (°C)	Range (°F)	Range code (°F)
Thermocouple	-199 to 999°C	1	-199 to 999°F	31
	0 to 600°C	2	32 to 999°F	32
	0 to 400°C	3	32 to 750°F	33
	-199 to 200°C	4	-199 to 400°F	34
	-199 to 999°C	5	-199 to 999°F	35
	-199 to 400°C	6	-199 to 750°F	36
	-199 to 999°C	7	-199 to 999°F	37
RTD	-199 to 900°C	12	-199 to 999°F	42
	-199 to 400°C	13	-199 to 750°F	43
	-199 to 850°C	15	-199 to 999°F	45
	0 to 400°C	16	32 to 750°F	46
	-199 to 200°C	17	-199 to 400°F	47
	-19.9 to 99.9°C	18	-199 to 999°F	48
JPt100	-199 to 500°C	19	-199 to 999°F	48

For example, to select thermocouple type E (°F), set the range code to 37.



8. Troubleshooting



Error Display during Operation

(1) If the controller displays one of the following, carry out the appropriate remedy for the particular error.

Display	Error content	Remedy
P.Er	P.Er: The parameter is abnormal	Check the settings of all the parameters and set them at their proper values.
b.o	B.o: Input burnout	Check the sensor wiring and correct it.
ooo	OOO: PV over-scale (PV exceeds its effective range.)	Check the input type and range settings and correct them.
uuu	UUU: PV under-scale (PV falls below its effective range.)	
Flashing period on PV display	Communication failure (for /RS option only)	Press any key to stop the flashing.

(2) The controller needs to be repaired if any of the indications in the table below appear. In these cases, do not try to repair the controller yourself. Order a new controller or contact us for repair.

Display	Error content	Display	Error content
Unknown (at power-on)	CPU failure	Flashing "Err" (at power-on)	RAM or ROM failure
All extinguished (at power-on)	Power source failure	Flashing "Err" (during operation)	A/D converter failure, RJC failure, or EEPROM failure
"Err" (at power-on)	Calibration abnormal		

When Power Failure Occurred during Operation

- Momentary power failures of less than 20ms (or less than 1ms when "/V24" is specified) have no effect on the controller operation (i.e., normal operation continues).
- For power failures longer than 20ms (or longer than 1ms when "/V24" is specified), however the status will be as follows. (The controller action at power recovery is the same as at power-on.)
 - Alarm action: Continues (but alarms with a waiting action enter the waiting state once)
 - Setting parameters: Maintained
 - Auto-tuning: Canceled

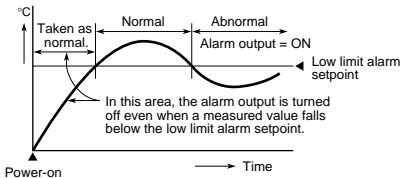
Alarm Function List

Alarm type	Action (“Opn” and “Cls” indicate that the relay contact is opened and closed; “on” and “off” indicate that the lamp is on and off, and white triangles indicate temperature control setpoints.)	Alarm type code	Alarm type	Action (“Opn” and “Cls” indicate that the relay contact is opened and closed; “on” and “off” indicate that the lamp is on and off, and white triangles indicate temperature control setpoints.)	Alarm type code
No alarm		OFF			
PV high limit		1 11 (See note.)	De-energized on deviation low limit		6 16 (See note.)
PV low limit		2 12 (See note.)	Deviation high and low limit		7 17 (See note.)
Deviation high limit		3 13 (See note.)	Deviation within high- and low-limit		8 18 (See note.)
Deviation low limit		4 14 (See note.)	De-energized on PV high limit		9 19 (See note.)
De-energized on deviation high limit		5 15 (See note.)	De-energized on PV low limit		10 20 (See note.)
Fault diagnostics output	The contact is closed at input burnout.	21	Heater disconnection alarm		25
FAIL output	The output contact is opened in the following events: • Program error • A/D converter error • ROM error • RAM error • power failure	22			

Note: The alarms numbered 1 to 10 have no waiting action, while alarms 11 to 20 have a waiting action.

The waiting action turns off the PV and deviation alarms that occur from the start of the control operation until a stable state is reached.

Waiting action



Description of Parameters

This section describes the parameter functions specific to the UT130 temperature controllers. (The functions described in other sections of this manual and the general functions are not discussed.)

Parameter	Function	Parameter	Function
Control mode	Select one from the following: a. Dynamic auto tune control (SLF) (See note) b. PID control (PID) c. On/off control (ONF) Note: Dynamic auto tune control is not available for heating/cooling control.	PV input bias	This function adds a bias value to the measured input value, and the result is used for display and control computation. $PV \text{ value inside the controller} = \text{measured input value} + PV \text{ bias}$
CTL	Read the section below this table to find out more about dynamic auto tune control.	BS	This function is useful for carrying out fine adjustment when the PV value is within the required accuracy but it differs from the value obtained by other equipment.
MR	You can set this parameter only for control without an integral action (when registered as CTL=PID and I=OFF). The controller outputs the manual reset (MR) value when PV=SP. For example, if you set MR=50%, the controller outputs (OUT) 50% when PV=SP.	Maximum/minimum value of target setpoint range	Using the SPH and SPL parameters, you can limit the setting range of the target setpoint (SP) within the measured input range.
COL	For heating/cooling control, you can set the ratio between the cooling-side output and heating-side output. For example, if you set COL=2.0 and the heating-side output is 10% at a certain deviation (SP-PV), then the cooling-side output will be 20% when the cooling-side also reaches that deviation.	SPH, SPL	
DB	You can only set a deadband for heating/cooling control. In a positive deadband, there are neither heating-side nor cooling-side outputs. In a negative deadband, there are both heating-side and cooling-side outputs, which overlap each other. 1. When the deadband of a heating/cooling type is positive (Proportional band (P) control) 2. When both the heating and cooling sides are under on/off control	Hysteresis for alarm 1 and 2	The alarms are output as relay outputs. Since a relay has a limited life, excessive on/off actions will shorten the life of the alarm. To prevent this, you can set a hysteresis to prevent excessive on/off actions for both alarm 1 and alarm 2.
HYS	For on/off control (CTL=ONF), you can set a hysteresis band around the on/off point (SP) to prevent chattering.	HY1, HY2	
CT	The cycle time is the period of on/off repetitions of a relay or voltage pulse output in time proportional PID control. The ratio of the ON time to the cycle time is proportional to the control output value.	SUPER function selection	The SUPER function is effective in the following cases: a. An overshoot must be suppressed. b. The rise-up time needs to be shortened. c. The load often varies. d. SP is changed frequently. Note 1: The SUPER function will not work when on/off control is selected, or I or D constants is set at OFF in PID control. Note 2: For some types of systems, the SUPER function may not be so useful. If this is the case, turn off the function.
CTC	*Cooling-side control output cycle time has the same functions.	SC	Priority of PV/SP display
FL	This function should be used when the PV display value may fluctuate greatly, for example, when the measured input signal contains noise. The filter is of the first-order lag type, and FL sets the time constant. If a larger time constant is set, the filter can remove more noise.	DSP	Since the UT130 controller has a single data indicator, you can give display priority to either PV or SP. The data which has the priority will be displayed on the data indicator upon power-on or when the operating display is resumed from a parameter setting display using the key (by pressing for at least 3 seconds). To switch the display between PV and SP, press the key.

What is Dynamic Auto Tune Control?

Dynamic auto tune control is one of the features offered by the temperature controller.

When the controller is turned on or the measured input value (PV) starts “hunting”, this mode of control monitors the behavior of the PV and/or OUT (control output value) to automatically determine the optimum PID constants. This means that the PID constants may be changed automatically. If this is not desirable for your system, operate the controller in the normal “PID control”.

If you want to automatically determine the PID constants at the initial startup of the controller, first define the target setpoint (SP) and then turn the controller off once and then back on again. Do not use dynamic auto tune control for a system where there is interference or continual disturbances.

Parameter Lists

(1) Target Setpoint (SP)

Numbers in () are the parameter setpoints that apply when the communication function is used. Ex. OFF(0), ON(1)

Code	Name	Setting range and unit	Default	User setting
(SP value display)	Target setpoint	Minimum value (SPL) to maximum value (SPH) of target setpoint range Unit: °C/°F	SPL	

(2) Operating Parameters : Parameters changed rather frequently during operation.

Code	Name	Setting range and unit	Default	User setting
A1	Alarm 1 setpoint	■ PV alarm Unit: °C/°F Setting range: minimum value to maximum value of measured input range	Max. value of measured input range (PV alarm)	
A2	Alarm 2 setpoint	■ Deviation alarm Unit: °C/°F Setting range: -100 to 100% of the measured input range span	Min. value of measured input range (PV alarm)	
HC	Heater disconnection current measured value	“HC” is not a parameter to be set. The current value (0 to 80) of heater disconnection detector is displayed. Unit: A (ampere) Settings: When the display value is ---, the heater current is not being measured.		
CTL	Control mode	ONF(0): On/off control PID(1): PID control SLF(2): Dynamic auto tune control (cannot be set for heating/cooling control)	SLF(2): standard type; PID(1): heating/cooling type	
AT	Auto-tuning	OFF(0): Stop auto-tuning(AT) ON(1): Start auto-tuning(AT)	OFF(0)	
P	Proportional band	1°C/°F to the temperature that corresponds to 100% of the measured input range span	5% of measured input range span	
I	Integral time	1 to 999 seconds; OFF(0): no integral action	240 seconds	
D	Derivative time	1 to 999 seconds; OFF(0): no derivative action	60 seconds	
MR	Manual reset	-19.9 to 99.9% : Standard type -100 to 100% : Heating/cooling type	50.0% : standard type; 0.0% : heating/cooling type	
COL	Cooling-side gain	0.01 to 9.99 times	1.00 times	
DB	Dead band	■ PID control Unit: °C/°F Setting range: -(proportional band setting) to +(proportional band setting) ■ On/off control Unit: °C/°F Setting range: -50 to +50% of measured input range span	3.0% of measured input range span	
HYS	Hysteresis for on/off control	0°C/°F to the temperature that corresponds to 100% of the measured input range span	0.5% of measured input range span	
CT	Control output cycle time	1 to 240 seconds	30 seconds	
CTC	Cooling-side control output cycle time	1 to 240 seconds	30 seconds	
FL	PV input filter	OFF(0), 1 to 120 seconds	OFF(0)	
BS	PV input bias	-100 to 100% of measured input range span	0% of measured input range span	
LOC	Key lock	0: No key lock 1: Prevents operations from being changed except for the changing of SP in the operating display 2: Prevents all parameter changing operations -1: Set “-1” to enter the setup parameter setting display. But if “LOC=1 or 2” is already set, the parameter value can not be changed by setting “LOC=-1” only. To change the parameter value, set “LOC=0” at first (for disabling keylock), then set “LOC=-1” once again.	0	

(3) Setup Parameters : Parameters rarely changed in normal use after once having been set.

Code	Name	Setting range and unit	Default	User setting
IN	Measured input type	1 to 7, 12, 13, 15 to 19, 31 to 37, 42, 43, 45 to 48 (See measured input range code list.) OFF(0): No input (If no input type is specified at the time of ordering, you must set the input type.)	OFF(0), or the input range code specified with order	
SPH	Maximum value of target setpoint range	(SPL+1°C) to the maximum value of the measured input range; Unit: °C/°F	Maximum value of measured input range	
SPL	Minimum value of target setpoint range	Minimum value of measured input range to (SPH-1°C) Unit: °C/°F	Minimum value of measured input range	
AL1	Alarm 1 type	OFF(0), 1 to 22 (See the alarm function list.) 25 (for the heater disconnection alarm /HBA option only)	1 (PV high limit alarm)	
AL2	Alarm 2 type	OFF(0), 1 to 22 (See the alarm function list.)	2 (PV low limit alarm)	
HY1	Alarm 1 hysteresis	0 to 100% of measured input range span Unit: °C/°F	0.5% of measured input range span	
HY2	Alarm 2 hysteresis			
SC	SUPER function	ON(1): Uses the SUPER function OFF(0): Does not use SUPER function Note: Not displayed when on/off control	OFF(0)	
DR	Direct/reverse action	0: Reverse action 1: Direct action Note: Not displayed for heating/cooling type	0	
DSP	Priority of PV/SP display	0: Displays PV 1: Displays target setpoint (SP)	0	
PSL	Protocol selection	0: PC-link communication 1: PC-link communication with sum check 2: Ladder communication 3: MODBUS in ASCII mode 4: MODBUS in RTU mode	0	
ADR	Controller address	1 to 99 However, the number of controllers that can be connected per host device is 31 at the maximum.	1	
BPS	Baud rate	2.4(0): 2400 bps 4.8(1): 4800 bps 9.6(2): 9600 bps	9.6(2)	
PRI	Parity	NON(0): Disabled EVN(1): Even parity ODD(2): Odd parity	EVN(1)	
STP	Stop bit	1 or 2 bits	1 bit	
DLN	Data length	7 or 8 bits • 8 bits when ladder, MODBUS (RTU) • 7 bits when MODBUS (ASCII)	8 bits	

IMPORTANT

To use dynamic auto tune control,

- (1) be sure to turn on the final control element, such as a heater, before starting the control, and
- (2) make sure the controlled loop is a closed loop.

If you do not follow these precautions, improper PID constants may be written into the controller. If this occurs, carry out the following:

- Set the parameter CTL at PID.
- Set the PID constants at the factory-set defaults (P = (upper range-limit - lower range-limit) × 5%; I = 240 sec.; and D = 60 sec.)
- Set the parameter CTL at SLF.

If the control still doesn't work properly, stop using the dynamic auto tune control function. Change the parameter CTL setting to PID and execute auto-tuning to obtain the PID constants.